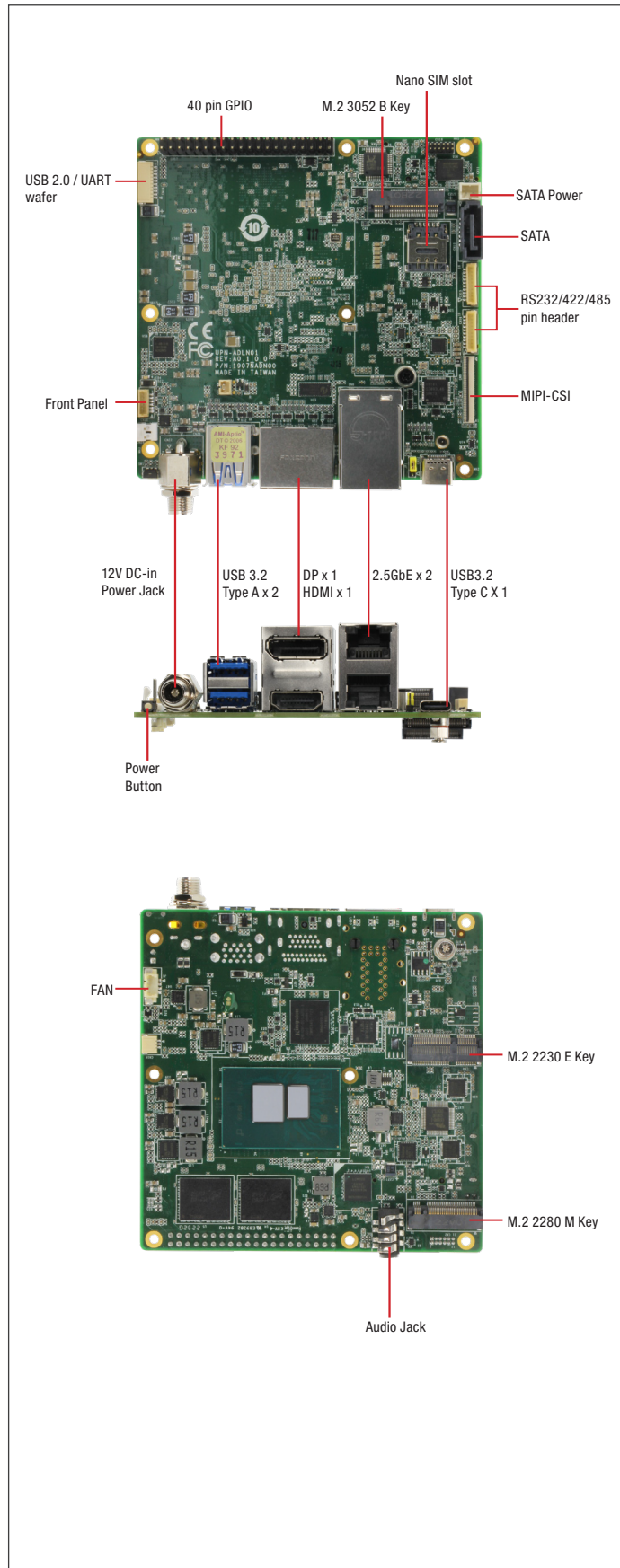


UP Squared Pro 7000

UP Squared Pro 7000 Developer Board with Intel Atom® x7000E Series, Intel® Processor N-series, and Intel® Core™ i3-N305 Processor (formerly Alder Lake N)



Features

- Intel Atom® x7000E Series, Intel® Processor N-series, and Intel® Core™ i3-N305 Processor (formerly Alder Lake N)
- Onboard LPDDR5 Memory up to 16GB
- Onboard eMMC Storage up to 64GB
- 2.5GbE x 2 (Intel®i226-IT)
- USB 3.2 x 3 (Type A x 2, Type C x 1)
- 40 pin GPIO x 1
- DP 1.2 x 1 / DP 1.4a x 1 / HDMI 2.0b
- RS232 / 422 / 485 wafer x 2
- M.2 2230 E-Key / M.2 2280 M-Key / M.2 3052 B-Key x 1
- SATA3 x 1
- TPM 2.0
- 12V DC-in, 6A

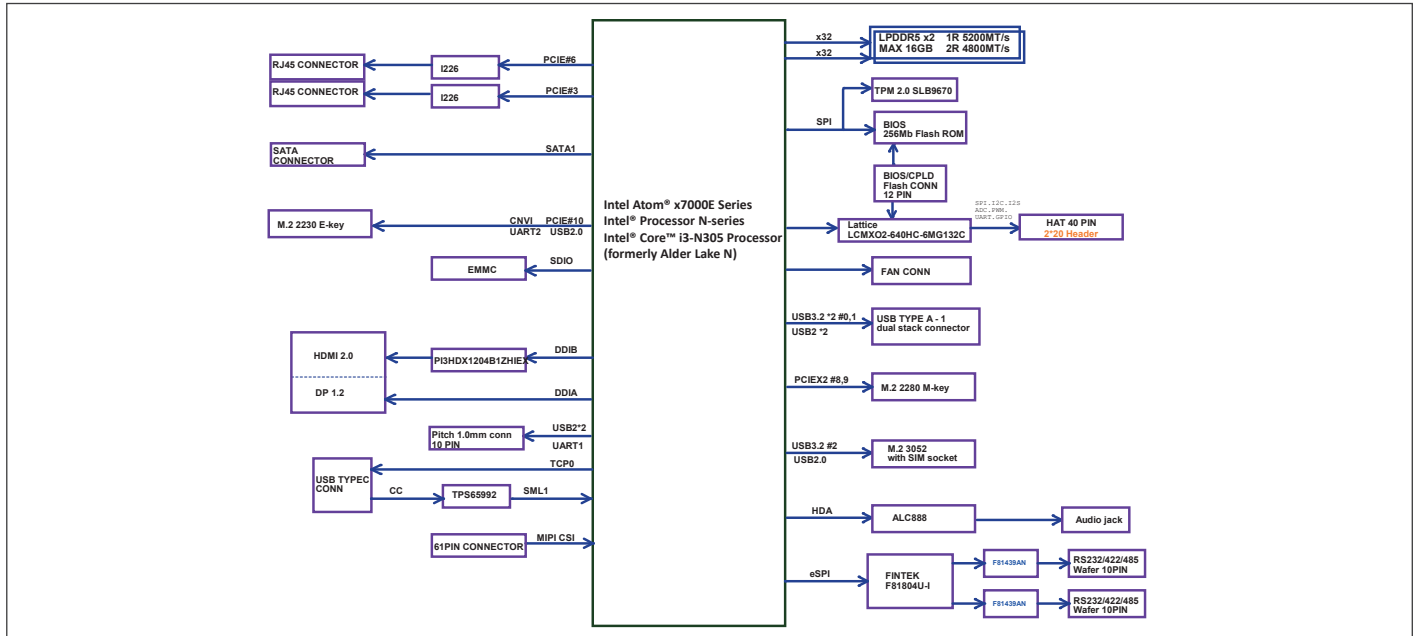


Specifications

System	
Processor	Intel®Core™ i3-N305 Intel Atom®x7425E Intel®Processor N97 Intel®Processor N50 (formerly Alder Lake N)
Graphics	Intel® UHD Graphics Gen 12
Memory	Up to 16GB LPDDR5
Storage	Up to 64GB eMMC
I/O	HDMI 2.0b x 1 DP 1.2 x 1 DP 1.4a via USB Type C Audio Jack x 1 (Mic-in+Line-out) RS-232/422/485 from 10 pin header x 2
Camera	MIPI-CSI via 61Pin FPC connector
USB	USB 2.0 x 2 (from 10 pin header x 1) USB 3.2 Gen 2 Type A x 2 USB 3.2 Gen 2 Type C x 1
Expansion	40 pin GPIO x 1 M.2 2230 E-key x 1 (CNVI , PCIe Gen 3 x1, USB2.0) M.2 2280 M-key x 1 (PCIe Gen 3 x2, USB2.0) M.2 3052 B-key x 1 (USB3.2 Gen 2 only) SATA3 x 1
Display Interface	HDMI 2.0b x 1 DP 1.2 x 1 DP 1.4a via USB Type C
Ethernet	2.5GbE x 2 (Intel®i226-IT)
Security	Onboard TPM 2.0
RTC	Yes
OS Support	Windows 10 IoT Enterprise Windows IoT Core Ubuntu 22.04 LTS Yocto 4
Power Requirement	
Power	12V DC-in, 6A
Power Supply Type	AT/ATX
Power Consumption (Typical)	35W
Mechanical	
Dimension	4" x 4" (101.6 mm x 101.6 mm)
Net Weight	0.44 lbs (0.20kg)
Gross Weight	0.77 lbs (0.35kg)
Environment	
Operating Temperature	32°F ~ 140°F (0°C ~ 60°C) / 0.5 airflow
Operation Humidity	0% ~ 90% relative humidity, non-condensing
MTBF	422,053
Certification	CE/FCC Class A, RoHS Compliant, REACH

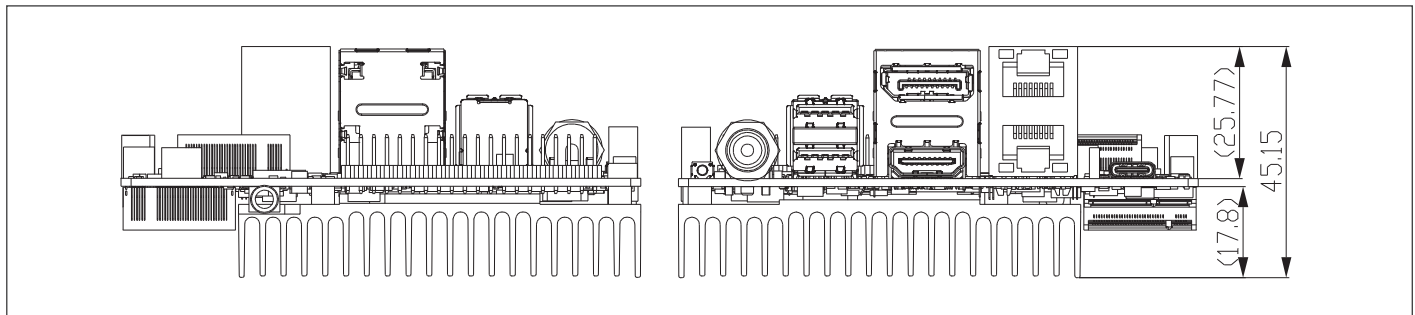
Note: All specifications are subject to change without notice.

Block Diagram



Dimension

Unit: mm



Ordering Information

Part number	CPU	Memory	Storage
UPN-ADLN50-A10-0432	N50	4GB	32GB
UPN-ADLN97-A10-0432	N97	4GB	32GB
UPN-ADLNX25E-A10-0864	X7425E	8GB	64GB
UPN-ADLNi3-A10-1664	i3-N305	16GB	64GB

Optional Accessories

Part Number	Description
1255X00032	12VDC/6A Adapter
1702031803	Power cord for EU
1702031802	Power cord for US
170203180J	Power cord for UK
170203180E	Power cord for Japan
170203180B	Power cord for China
1702031811	Power cord for Taiwan
1709070500	SATA cable
1702150155	SATA power cable (15cm)
1702150306	SATA power cable (30cm)

Packing List

- UP Squared Pro 7000 with heatsink