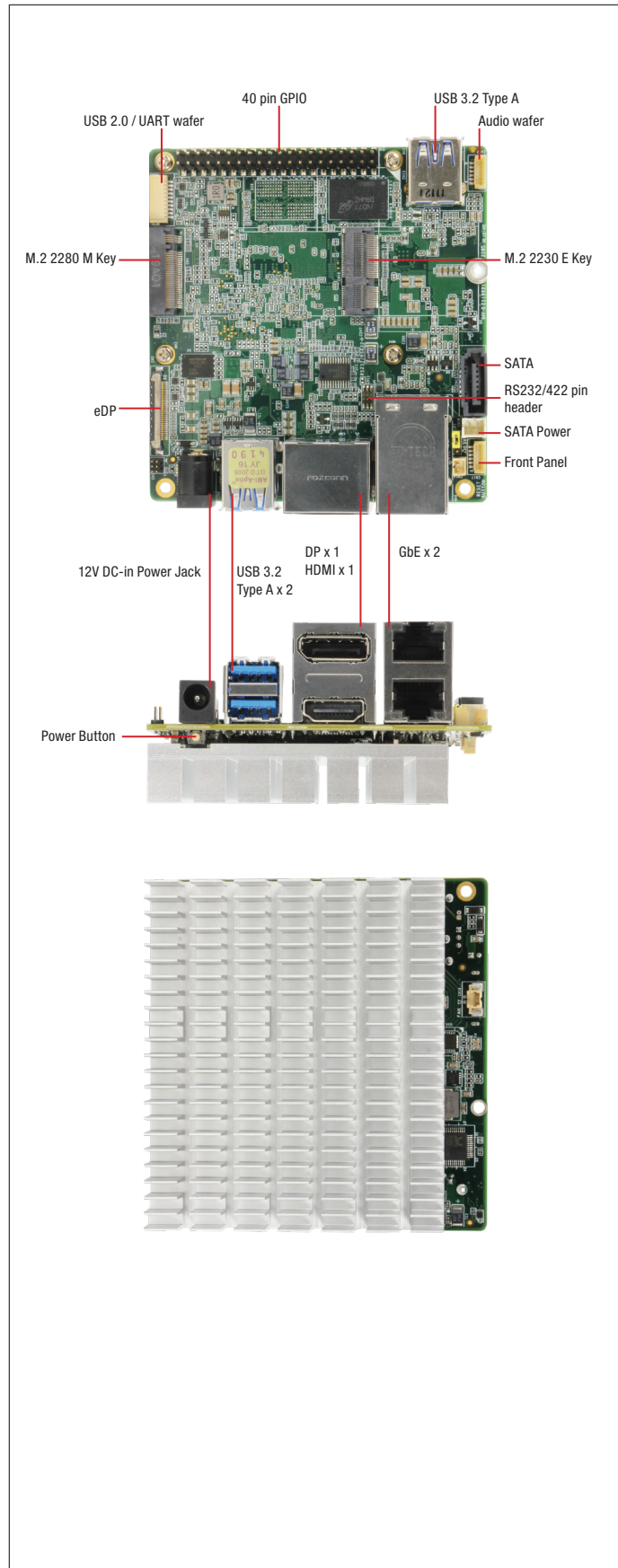


UP Squared V2

UP Squared V2 Developer Board with Intel® Pentium® Celeron® Processor SoC



Features

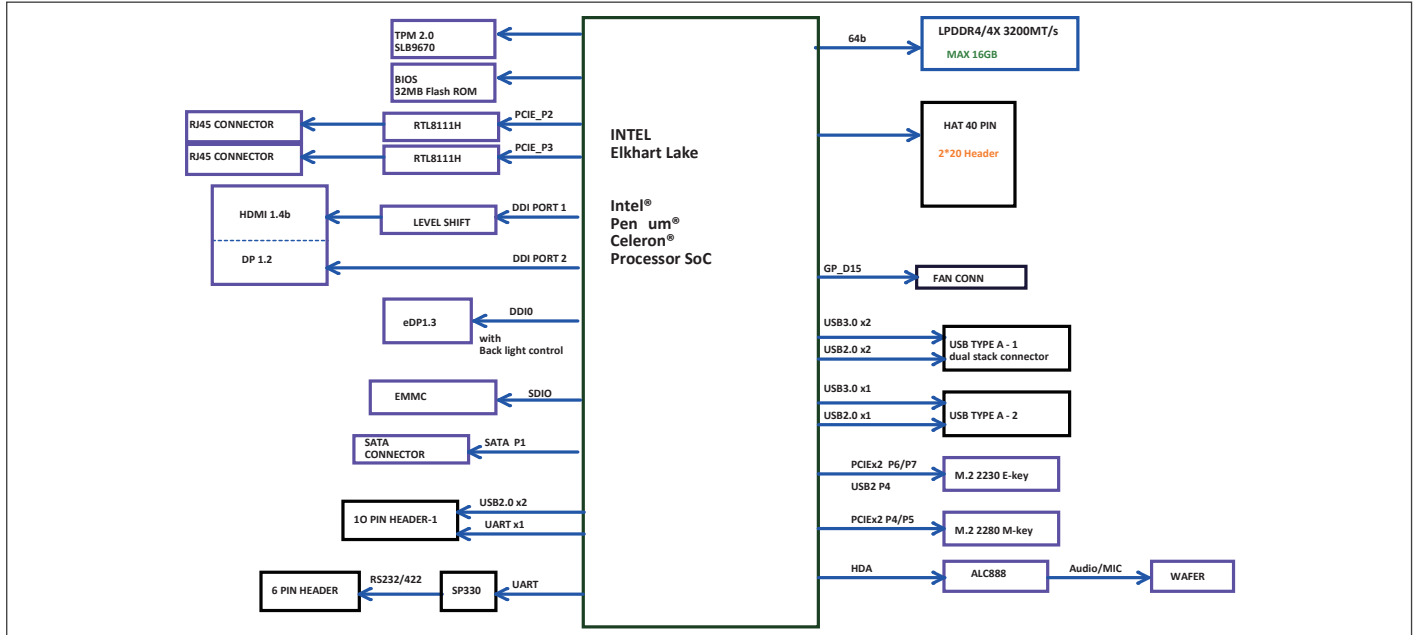
- Intel® Pentium® Celeron® Processor SoC
- Onboard LPDDR4 Memory up to 16GB
- Onboard eMMC Storage up to 64GB
- Gb Ethernet (full speed) RJ-45 x 2
- USB 3.2 Type A x 3
- 40 pin GPIO x 1
- DP 1.2 / HDMI 1.4b / eDP 1.3
- RS232/422 pin header x 1
- M.2 2230 E-Key x 1
- M.2 2280 M-Key x 1
- SATA3 x 1
- TPM 2.0
- 12V DC-in, 5A



Specifications

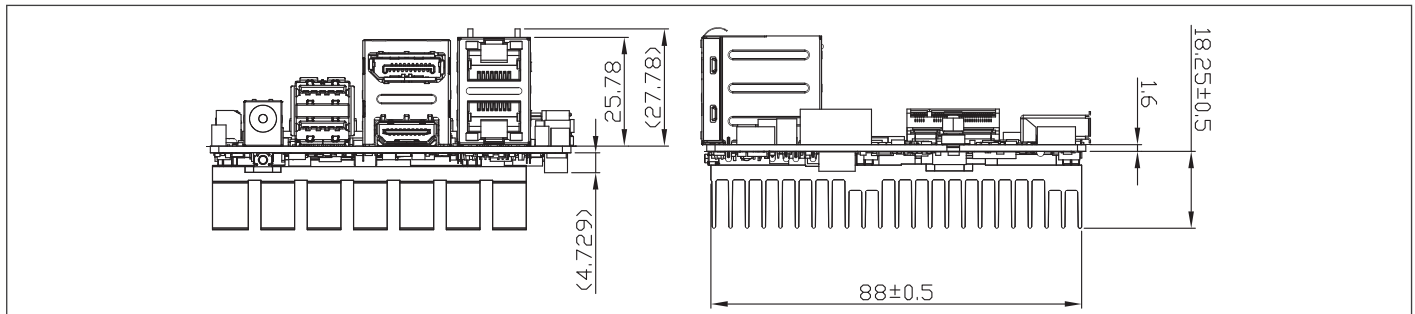
System	
Processor	Intel® Celeron® N6210 Pentium® J6426 Processor SoC
Graphics	Intel® UHD Graphics
Memory	Up to 16GB LPDDR4
Storage	Up to 64GB eMMC
I/O	HDMI 1.4b x 1 DP 1.2 x 1 eDP 1.3 x 1 Audio 6 pin wafer (Line out + MIC in) x 1 RS-232/422 6 pin header x 1
Camera	—
USB	USB 2.0 x 2 (from 10 pin wafer x 1) USB 3.2 Gen 2 Type A x 3
Expansion	40 pin GPIO x 1 M.2 2230 E-Key x 1 (PCIe x2, USB2.0 x1) M.2 2280 M-key x 1 (PCIe x2) SATA3 x 1
Display Interface	HDMI 1.4b x 1 DP 1.2 x 1 eDP 1.3 x 1
Ethernet	Gb Ethernet (full speed) RJ-45 x 2
Security	Onboard TPM 2.0
RTC	Yes
OS Support	Microsoft Windows 10 (full) Windows IOT Core Ubuntu 20.04 LTS Yocto 3.1
Power Requirement	
Power	12V DC-in, 5A
POWER SUPPLY TYPE	AT/ATX
POWER CONSUMPTION (TYPICAL)	30~38W
Mechanical	
Dimension	3.37" x 3.54" (85.6 mm x 90 mm)
Net Weight	0.52 lbs (0.24kg)
Gross Weight	0.66 lbs (0.3kg)
Environment	
Operating Temperature	32°F ~ 140°F (0°C ~ 60°) / 0.5 airflow
Operation Humidity	0% ~ 90% relative humidity, non-condensing
MTBF	465,586
Certification	CE/FCC Class A, RoHS Compliant, REACH

Block Diagram



Dimension

Unit: mm



Ordering Information

Part number	CPU	Memory	Storage
UPS-EHLCN2-A10-0232	N6210	2GB	32GB
UPS-EHLCN2-A10-0432	N6210	4GB	32GB
UPS-EHLPJ4-A10-0432	J6426	4GB	32GB
UPS-EHLPJ4-A10-0864	J6426	8GB	64GB
UPS-EHLPJ4-A10-1664	J6426	16GB	64GB

Optional Accessories

Part Number	Description
EP-PS12V5A60WFJ	12V5A 60W Power Supply, non-lockable
EP-CBPC125V3PUS	US Type Power Cord Plug 1800±30mm
EP-CBPC250V3PEU	EU Type Power Cord Plug 1800±30mm
EP-CBPC250V3PUK	UK Type Power Cord Plug 1800±30mm
EP-CBUSB10PFL01	USB 2.0 Type A to 10-pin header cable
RE-WFKIT-9260NVP	Intel 9260 Wifi Kit, Intel® Wireless-AC 9260, 802.11AC
EP-SSM280256TKS	Kingston M.2 SSD 2280 256GB, PCIe Gen 3 [x4]

Packing List

- UP Squared V2 with heatsink