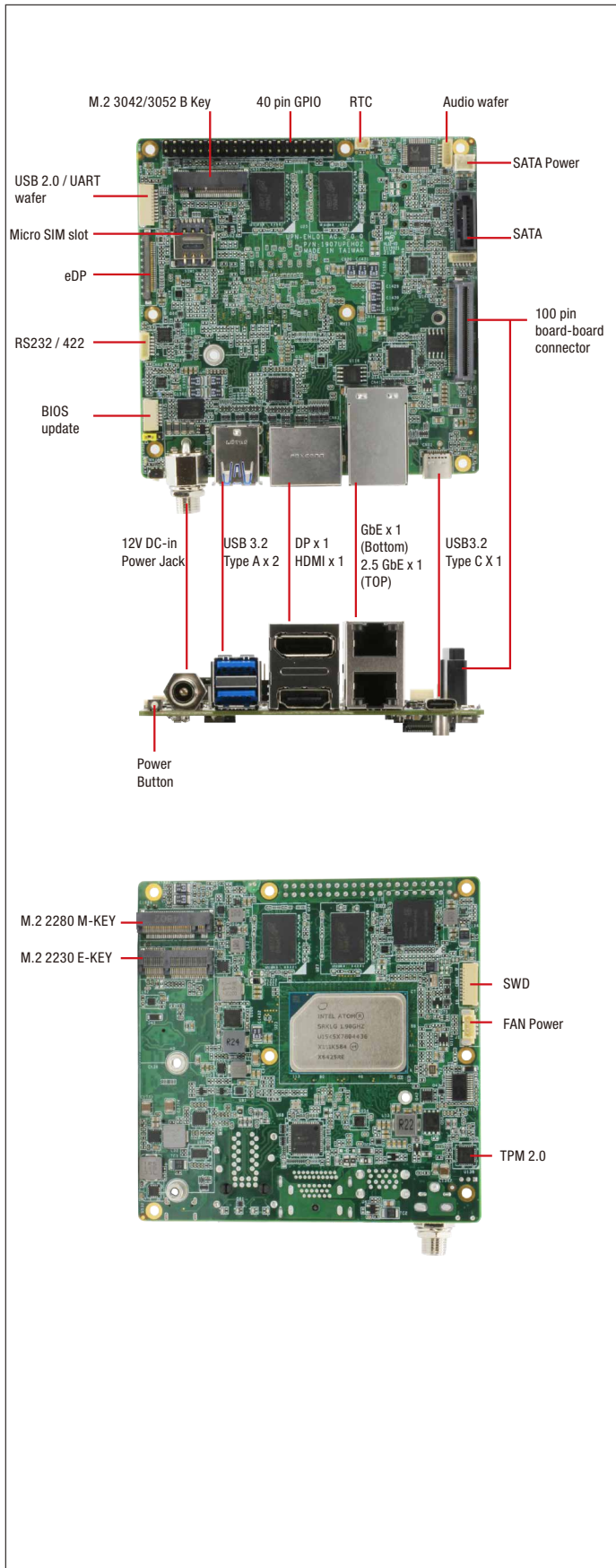


# UP Squared 6000

UP Squared 6000 Developer Board with Intel® Atom® x6000E Pentium® Celeron® Processor SoC



## Features

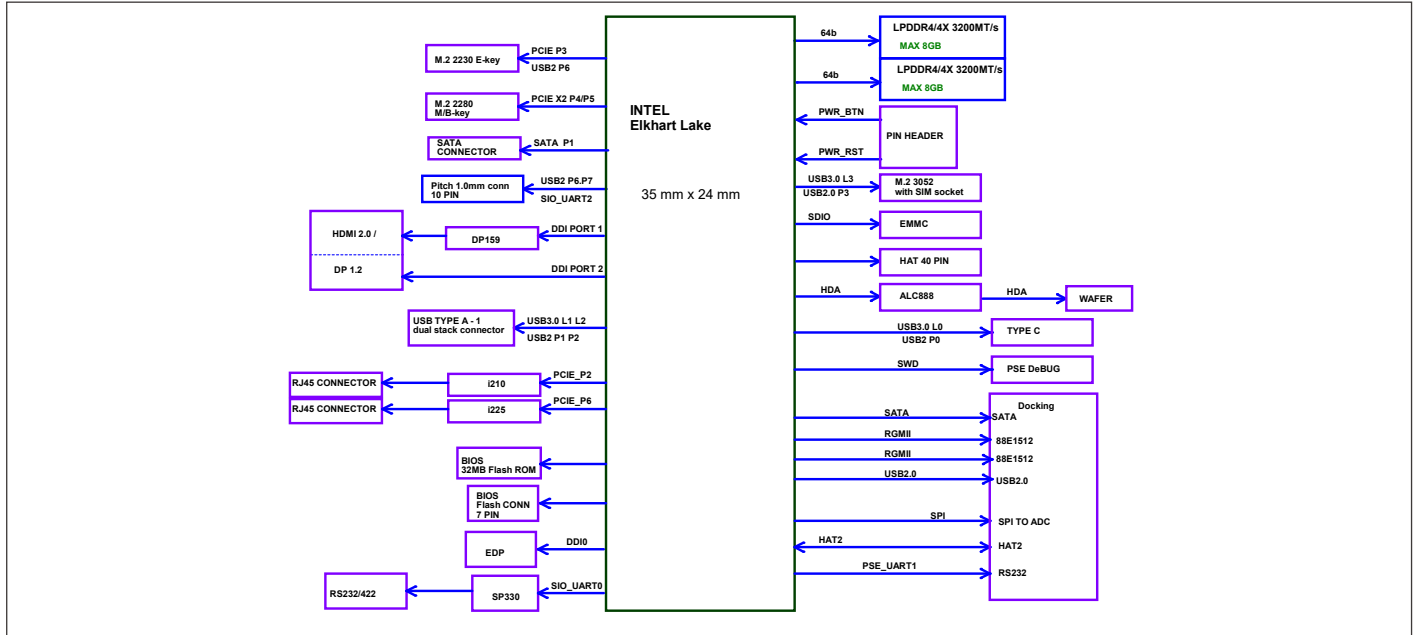
- Intel® Atom® x6000E Pentium® Celeron® Processor SoC
- Onboard LPDDR4 Memory up to 8GB
- Onboard eMMC Storage up to 64GB
- GbE x 1, 2.5GbE x 1 (Intel® i210, i225)
- USB 3.2 x 3 (Type A x 2, Type C x 1)
- 40 pin GPIO x 1
- DP 1.2 / HDMI 2.0b / eDP x 1
- RS232 / 422 wafer x 1
- M.2 2230 E-Key / M.2 2280 M-Key / M.2 3042/3052 B-Key x 1
- SATA3 x 1
- TPM 2.0
- 12V DC-in, 6A



## Specifications

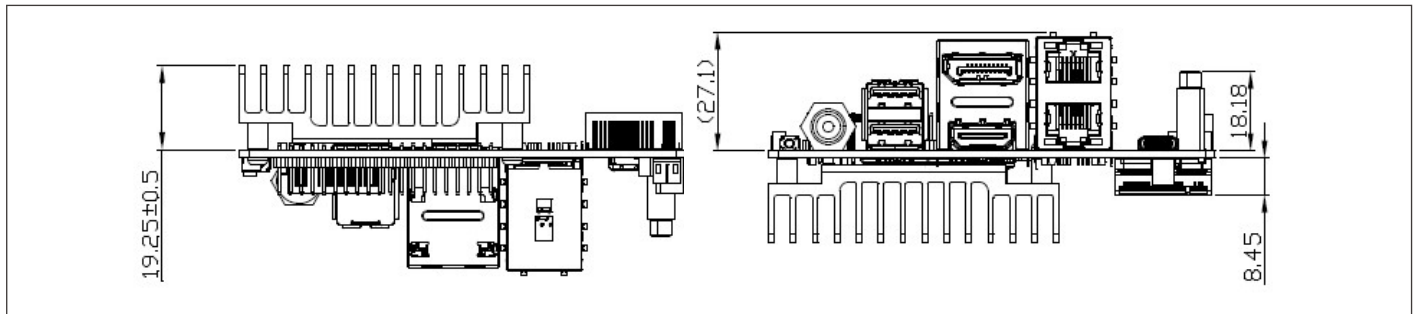
System	
Processor	Intel® Atom® X6413E / X6425RE, Celeron® N6210 (no PSE), Pentium® J6426 Processor SoC
Graphics	Intel® UHD Graphics
I/O	HDMI 2.0b x 1 DP 1.2 x 1 eDP x 1 (Limited to Atom series) Audio wafer x 1 RS-232/422 x 1 (Limited to Atom series)
Camera	—
USB	USB 2.0 x 2 (from wafer x 1) USB 3.2 Gen 2 Type A x 2 USB 3.2 Gen 2 Type C (support OTG) x 1 (Limited to Atom series)
Expansion	40 pin GPIO x 1 M.2 2230 E-key x 1 M.2 2280 PCIe Gen3.0x2 M-key x 1 SATA3 x 1 M.2 3042/3052 B-key x 1 Micro SIM slot x 1 100 pin high speed board-board connector x 1 (Limited to Atom series) TPM 2.0 (Limited to Atom series)
RTC	Yes
Power	12V DC-in (Lockable plug)
Dimension	4" x 4" (101.6mm x 101.6mm)
Memory	Up to 8GB DDR4
Storage	UP to 64GB eMMC
Display Interface	HDMI 2.0b x 1 DP 1.2 x 1 eDP x 1 (Limited to Atom series)
Ethernet	GbE x 1, 2.5GbE x 1 Atom: Intel® i210-IT, i225-IT PC Client: Intel® i211-AT, i225-V
OS Support	Microsoft Windows 10 (full), Windows IOT Core Linux: Ubuntu-TBD Yocto 3.1
Operating Temperature	With Heatsink: 32°F ~ 140°F (0°C ~ 60°) / 0.5 airflow
Operation Humidity	0% ~ 90% relative humidity, non-condensing
Certification	CE/FCC Class A, RoHS Compliant, REACH

## Block Diagram



## Dimension

Unit: mm



## Ordering Information

Part number	CPU	Memory	Storage	USB 3.2 Type C	RS232 / 422 wafer	eDP	TPM 2.0	LAN	100 pin board-board connector
UPN-EHLCN2-A10-0232	PC Client: N6210 (No PSE)	2GB	32GB	No	No	No	No	i211-AT / i225-V	No
UPN-EHLPJ4-A10-0432	PC Client: J6426	4GB	32GB	No	No	No	No	i211-AT / i225-V	No
UPN-EHLX4E-A10-0432	Embedded: X6413E	4GB	32GB	Yes	Yes	Yes	Yes	i210-IT / i225-IT	Yes
UPN-EHLX4RE-A10-0864	Industrial: X6425RE	8GB	64GB	Yes	Yes	Yes	Yes	i210-IT / i225-IT	Yes

## Packing List

- UP Squared 6000 with heatsink

## Optional Accessories

Part Number	Description
EP-PS12V6A72WFJ	Power Supply Unit 12V@6A, 72 Watt
EP-PS12V8A96WUPX	Power Supply Unit 12V@8A, 96 Watt
EP-CBPC250V3PEU	Power cord (EU plug)
EP-CBPC125V3PUS	Power cord (U.S. plug)
EP-CBPC250V3PUK	Power cord (UK plug)
EP-UPSATAPACK02	SATA and SATA Power Cable
PER-TAIX2-A10-2280	UP AI Core XM 2280 (Myriad X *2)
RE-WFKIT-9260NVP	Intel® Wireless-AC 9260 M.2 2230 WiFi kit
EP-SSM280256TKS	M.2 SSD 2280 256GB, PCIe Gen3 x 4, M Key, 3D TLC, Kingston
RE-FM5G150AE210	5G module Asia(excl China)/Europe/Australia M.2 3052 with RF cable and Antenna
RE-FM5G150NA210	5G module North America M.2 3052 with RF cable and Antenna
EP-CBUSB10PFL01	USB 2.0 10 pin header cable